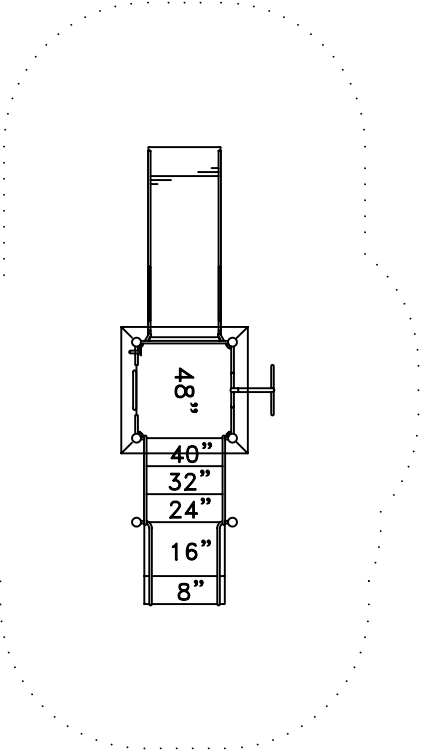


APPROPRIATE FOR CHILDREN 2 TO 5 YEARS OF AGE

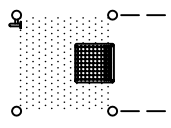
9821 FEATURES:

- ACCESSIBLE TRANSFER STATION
- KID'S BENCH
- PERFORATED STEEL ROOF
- STAIRS WITH BALUSTER WALLS
- TALK TUBE
- VERTICAL LADDER
- VERTICAL LOOP CLIMBER
- WIDE CHUTE, STAINLESS STEEL
- WITH 6" (15cm) RAILS

SAFE USE ZONE BORDER



PLAY FEATURES
BENEATH
DECK



WELCOME/
RULES SIGN

PLAY AREA, EQUIPMENT ONLY:
20' x 6' (6.1m x 1.9m)
MINIMUM SAFE USE ZONE:
32' x 18' (9.8m x 5.5m)

- ACCESSIBILITY PROFILE:**
- 5 TOTAL PLAY COMPONENTS
 - 4 ELEVATED PLAY COMPONENTS (4 ACCESSIBLE)
 - 1 GROUND LEVEL PLAY COMPONENTS (1 ACCESSIBLE)



This drawing reveals the copyrighted intellectual property of Columbia Cascade Company. Not for use by others without our express, written authorization.
Authorization for use is hereby granted to architects, landscape architects and similar design professionals solely for the purpose of specifying Timberform products.

Scale 1/8"=1'-0"
Drawn by: AT
CK'd by: CL
08-08-11
08-08-11

COLUMBIA CASCADE COMPANY



Makers of Timberform®, Pipeline®, RePlay®, Timberform®-2, InterPlay®, Cycloops® and Cycloaker® Products.

1300 S.W. Sixth Avenue, Suite 310 Telephone 503/223-1157
Portland, Oregon 97201-3464 Facsimile 503/223-4530
U.S.A.

WWW.TIMBERFORM.COM

Title:
PIPELINE
MODEL NO. 9821
AREA DRAWING

Drawing No. W-9821
Sheet 1 of 1